**VEHICLE TYPE**

ISUZU / KENWORTH / PETERBILT / FORD / MITSUBISHI / DETROIT
DIESEL / ZETROS MERCEDES / 180E28 IVECO / 65CF-240 DAF /
DENNIS Elite / DENNIS Elite Kerbsider / DENNIS Sabre XL / PRO 628
BMC / MITSUBIHI FUSO FIGHTER / SEDDON / ML160E24 IVECO /
ATEGO / SCANIA P340 / HINO 268A / 2628LL Econic MERCEDES
BENZ / UD 2600 / HINO USA NV8J / TERBERG VOLVO

TRANSMISSION CODE

ALLISON MD 3000-3060-3066-3070-3200-3560-3566
/ HD 4060-4070-4076-4430-4560

Kozmaksan Allison Power Take OFFs designed for Allison series main transmissions. Kozmaksan ALS PTOs has Single output model, Side Mounting type options and available for UNI&ISO mounting housing or suitable for flange connections. Kozmaksan has been designing ALS series PTOs as Clutch Shift PTO. In other words, ALS Series PTOs have Clutch System.

Output Options;
ISO & SAE B & SAE B-B & UNI & Flange

ALLISON

ELECTRIC SHIFTING

SIDE MOUNTING

ALS.18.3060

Product Code

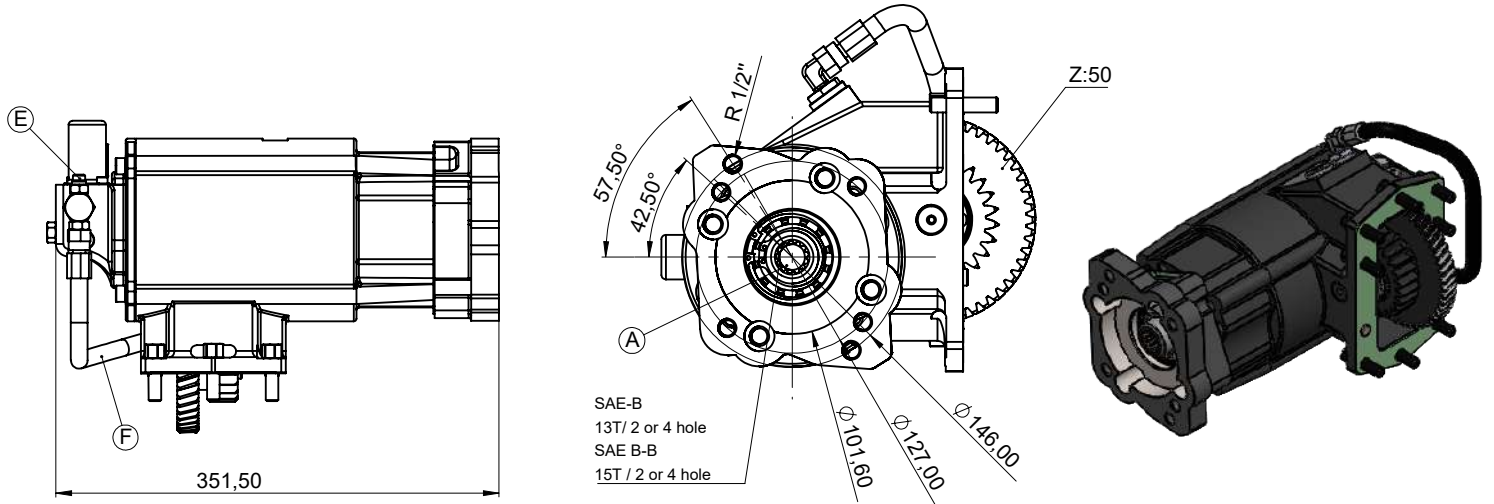
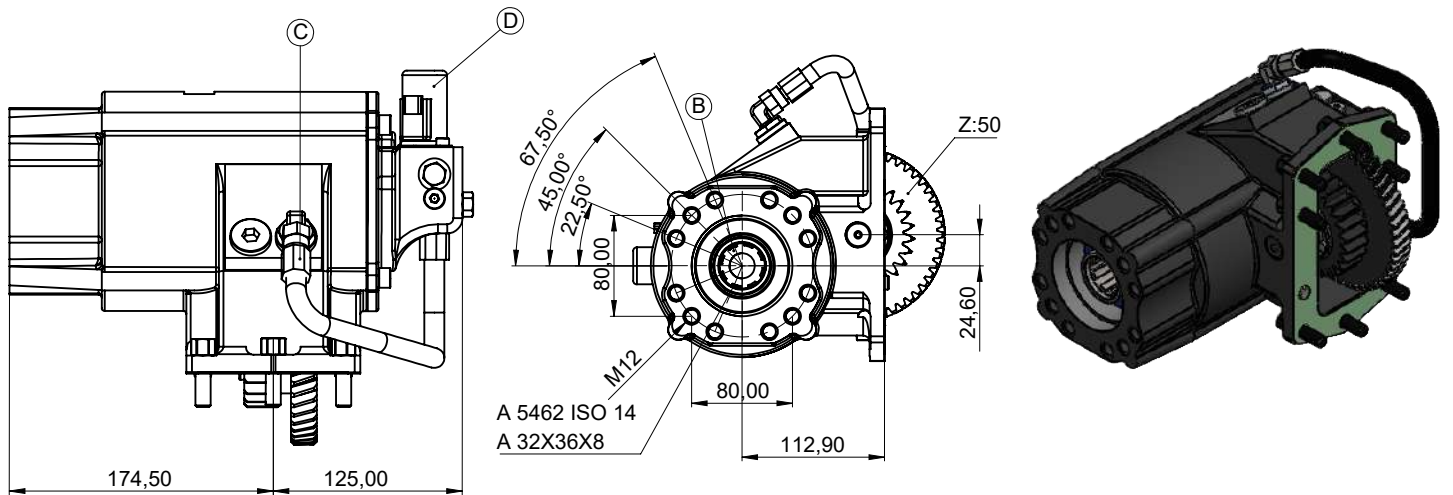
ALLISON MD 3000-3060-3066-3070-3200-3560-3566
/ HD 4060-4070-4076-4430-4560

01

04.04.2019

02

Rev. Date

SAE B OUTPUT**ISO OUTPUT**

A1 SAE B 13T / 2 or 4 Hole Output

A2 SAE B-B 15T / 2 or 4 Hole Output

B DIN 5462 / ISO 14 A 32x36x8 Output

C R1/2" Oiling Input

D Engage/Disengage Electronic Valve

F Valve Oil Input Hose

E PTO Oiling Hose

	SAE-B Output	ISO Output	
Power (kW) @1000 RPM	29	41	
Max. Torque (Nm)	278	392	
Weight (Kg)	30	29	
Ratio	1/1,4		
Mounting Type	Side PTO		
Sense of Rotation	Opposite of Engine Shaft		

ALLISON

ELECTRIC SHIFTING

SIDE MOUNTING

ALS.18.3060

Product Code

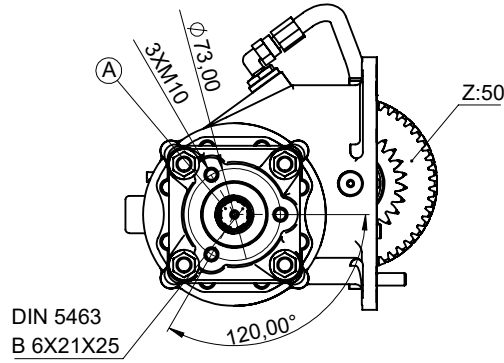
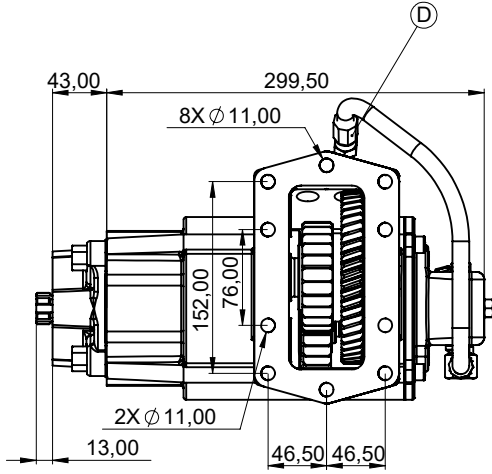
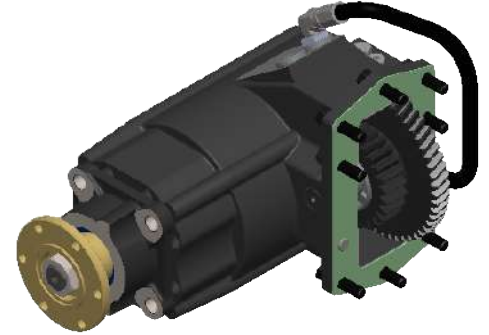
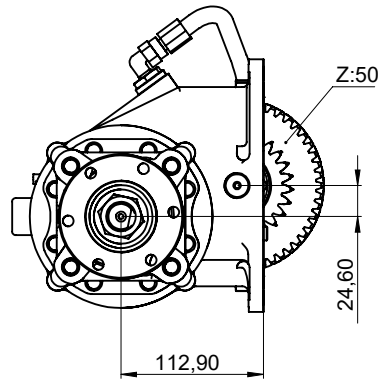
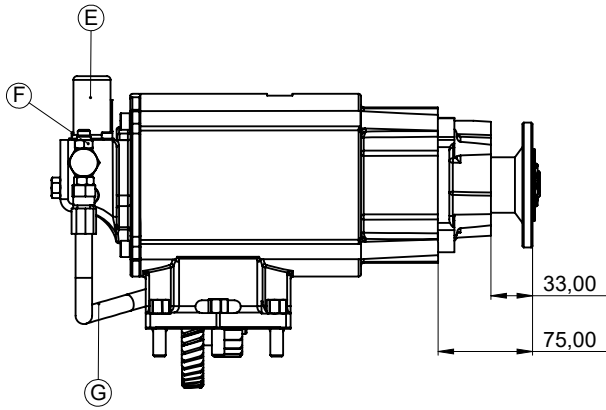
ALLISON MD 3000-3060-3066-3070-3200-3560-3566
/ HD 4060-4070-4076-4430-4560

01

04.04.2019

03

Rev. Date

UNI OUTPUT**FLANGE OUTPUT**

A DIN 5463 B 6x21x25 UNI 3 Bolts

B ISO 7647-7646 Standard Flange

C DIN 5462 / 32x36x8 / ISO

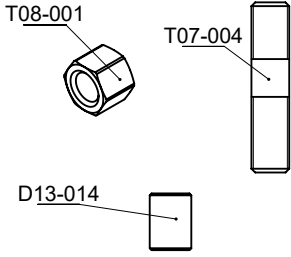
D R1/2" Oiling Input

E Engage/Disengage Electronic Valve

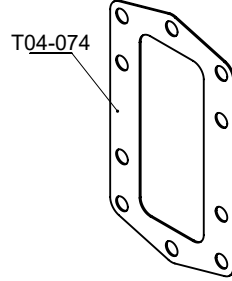
F Valve Oil Input Hose

G PTO Oiling Hose

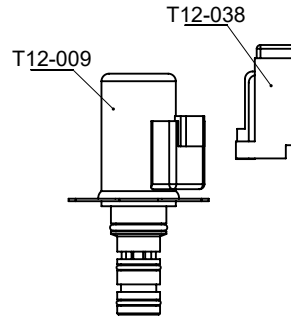
	UNI Output	FLANGE Output	
Power (kW) @1000 RPM	23	41	
Max. Torque (Nm)	220	392	
Weight (Kg)	30	30	
Ratio	1/1,4		
Mounting Type	Side PTO		
Sense of Rotation	Opposite of Engine Shaft		

**Transmission
Mounting Parts**


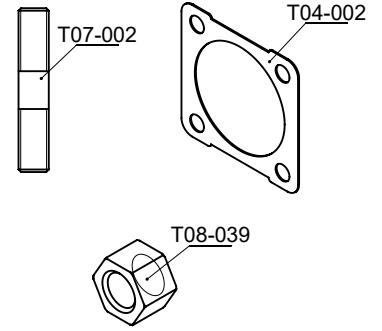
	Code	Qty
1	T08-001	8
2	T07-004	8
3	D13-014	2

**Transmission
Gasket**


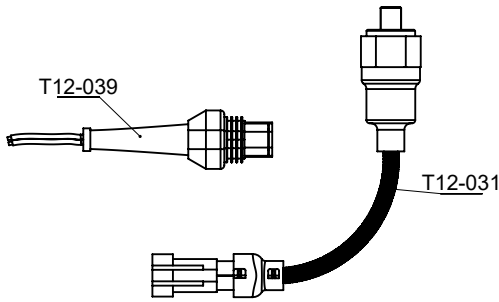
	Code	Qty
4	T04-074	1

Valve


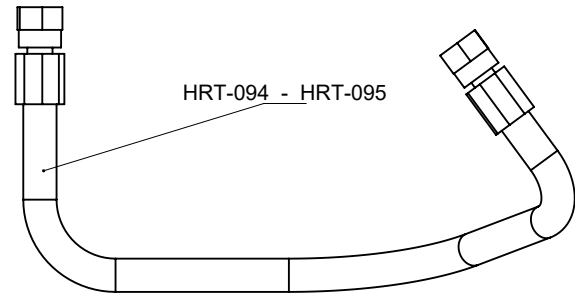
	Code	Qty
5	T12-009	1
6	T12-038	1

ISO Output Mounting Parts


	Code	Qty
7	T08-039	4
8	T07-002	4
9	T04-002	1

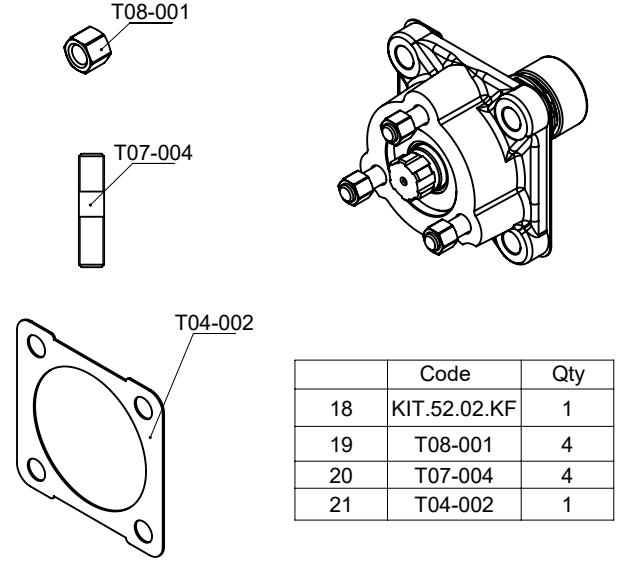
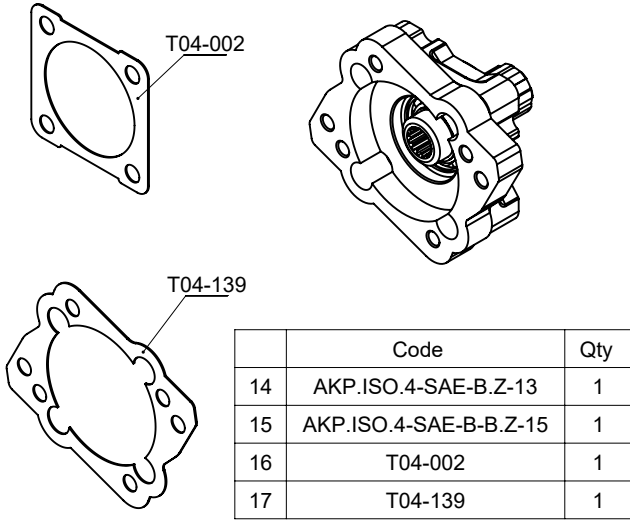
Sensor and Connector


	Code	Qty
10	T12-031	1
11	T12-039	1

Hose


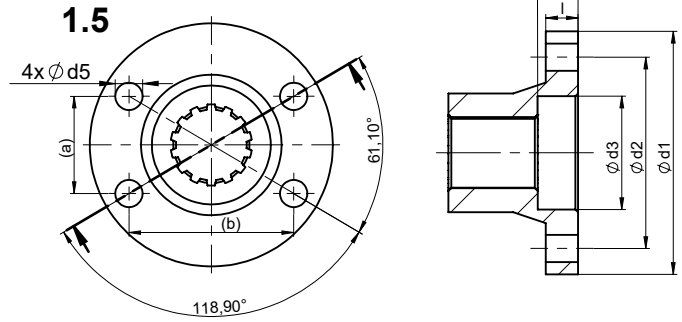
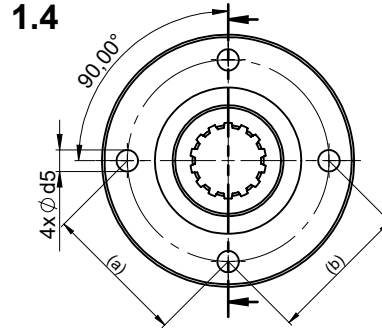
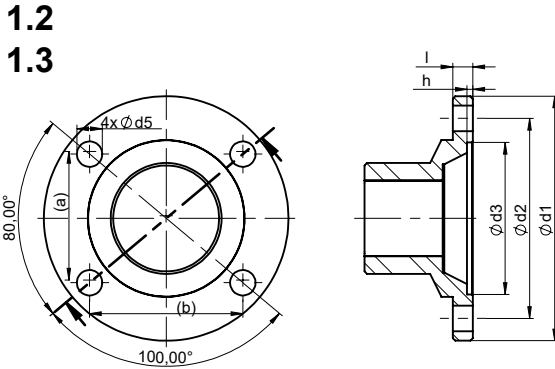
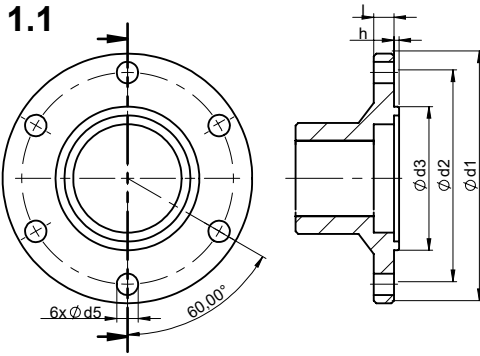
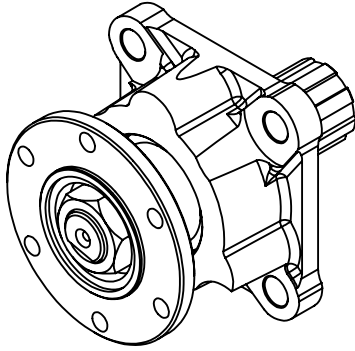
	Code	Qty
12	HRT-094	1
13	HRT-095	1

No	Code	Description	No	Code	Description
1	T08-001	M10 Nut	10	T12-031	Oil Pressure Sensor R 1/8"
2	T07-004	M10X45 Stud	11	T12-039	Oil Pres. Sensor Connector
3	D13-014	Ø11X17 Pin	12	HRT-094	ALLISON 28" R/18" Hose
4	T04-074	Transmission Gasket	13	HRT-095	ALLISON 12,5" R1/8" Hose
5	T12-009	Oil Valve for Engaging			
6	T12-038	Oil Valve Connector			
7	T08-039	M12 Nut			
8	T07-002	M12X65 Stud			
9	T04-002	ISO Gasket			

SAE-B Output Mounting Parts
UNI Output Mounting Parts


No	Code	Description	No	Code	Description
14	AKP.ISO.4-SAE-B.Z-13	SAE B Converter			
15	AKP.ISO.4-SAE-B-B.Z-15	SAE B-B Converter			
16	T04-002	Pump Gasket 1MM			
17	T04-139	Pump Gasket 1MM			
18	KIT.52.02.KF	UNI Converter			
19	T08-001	M10 Nut			
20	T07-004	M10X45 Stud			
21					

FLANGE OUTPUT



	Ø d1	Ø d2	Ø d3	Ø d5	l	h	Hole	(a) x (b)
1.1	100	84	57	8,1	8	2,3	6	-
1.2	97	79,37	60,32	10,1	8	2,3	4	51 x 60,8
1.3	87	69,85	57,10	8,1	2	2	4	45 x 53,5
1.4	100	80	60	8,5	12	5	4	56,5 x 56,5
1.5	90	70,83	42	10,1	12	15	4	36 x 61

No	Code	Description			
1	KIT.55.02.UF	ADAPTER			
1.1	C06-076	ISO 7646-100x6x8			
1.2	C06-045	ISO 7647-SAE 1300x4x10			
1.3	C06-082	ISO 7647 - SAE 1100x4x8			
1.4	C06-194	Ø100 SPECIAL FLANGE			
1.5	C06-192	Ø90 SPECIAL FLANGE			